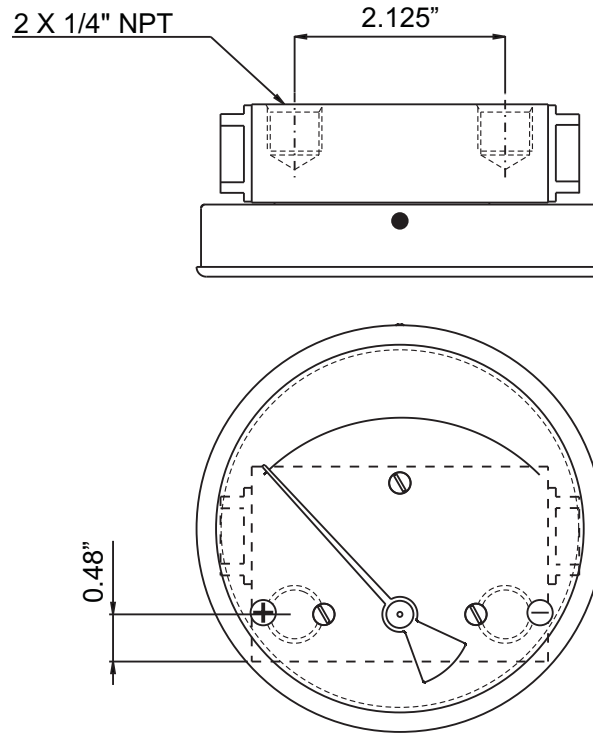


PORTING DETAILS, PISTON INSTRUMENTS (200DPG)

BACK PORTING



BOTTOM PORTING

