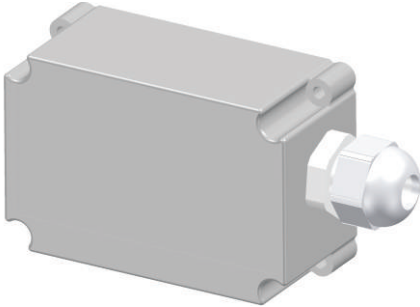


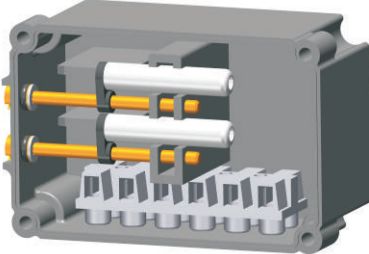
# SWITCH COVER COMBINATIONS, PISTON INSTRUMENTS (200 DPG)

---

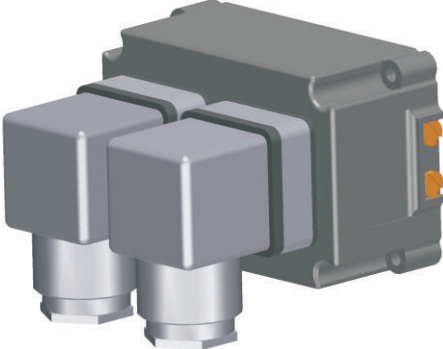
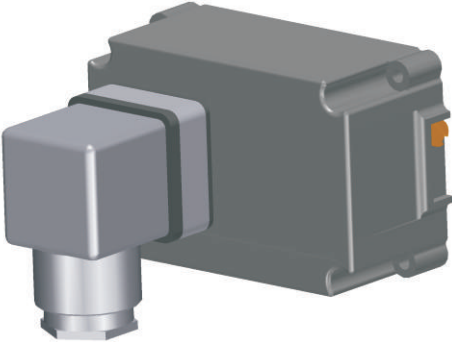
Terminal strip and  
cable gland (IP65)



Switch cover inside view



DIN plug at back



DIN plug at top

