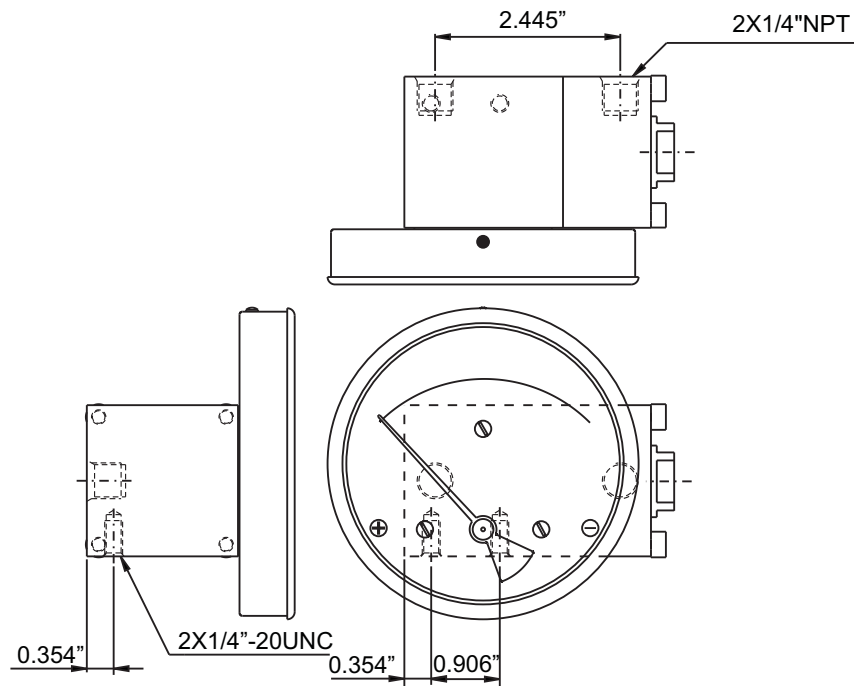


PORTING DETAILS, SMALL CONVOLUTED DIAPHRAGM INST. (300DGC)

BACK PORTING



BOTTOM PORTING

