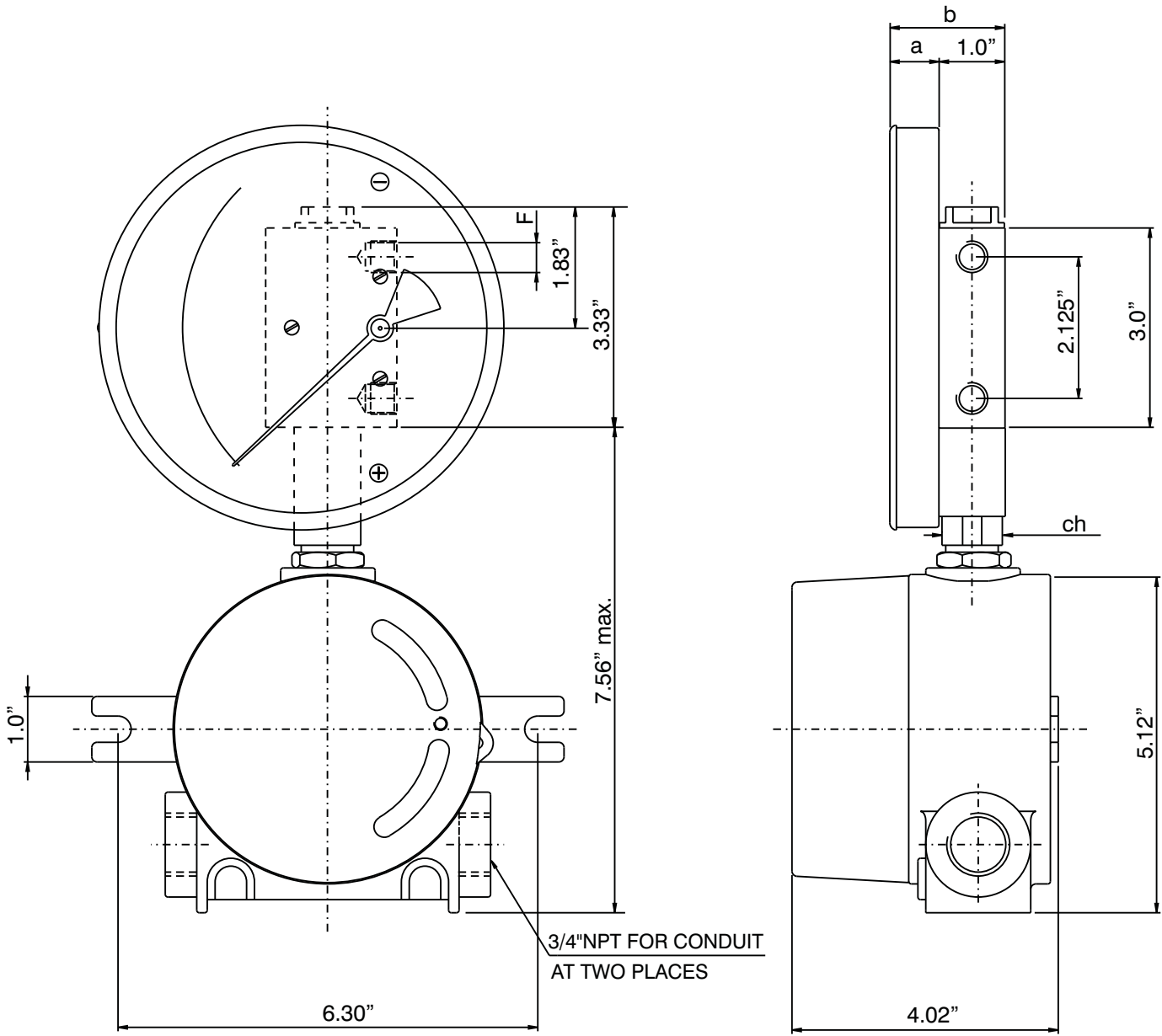
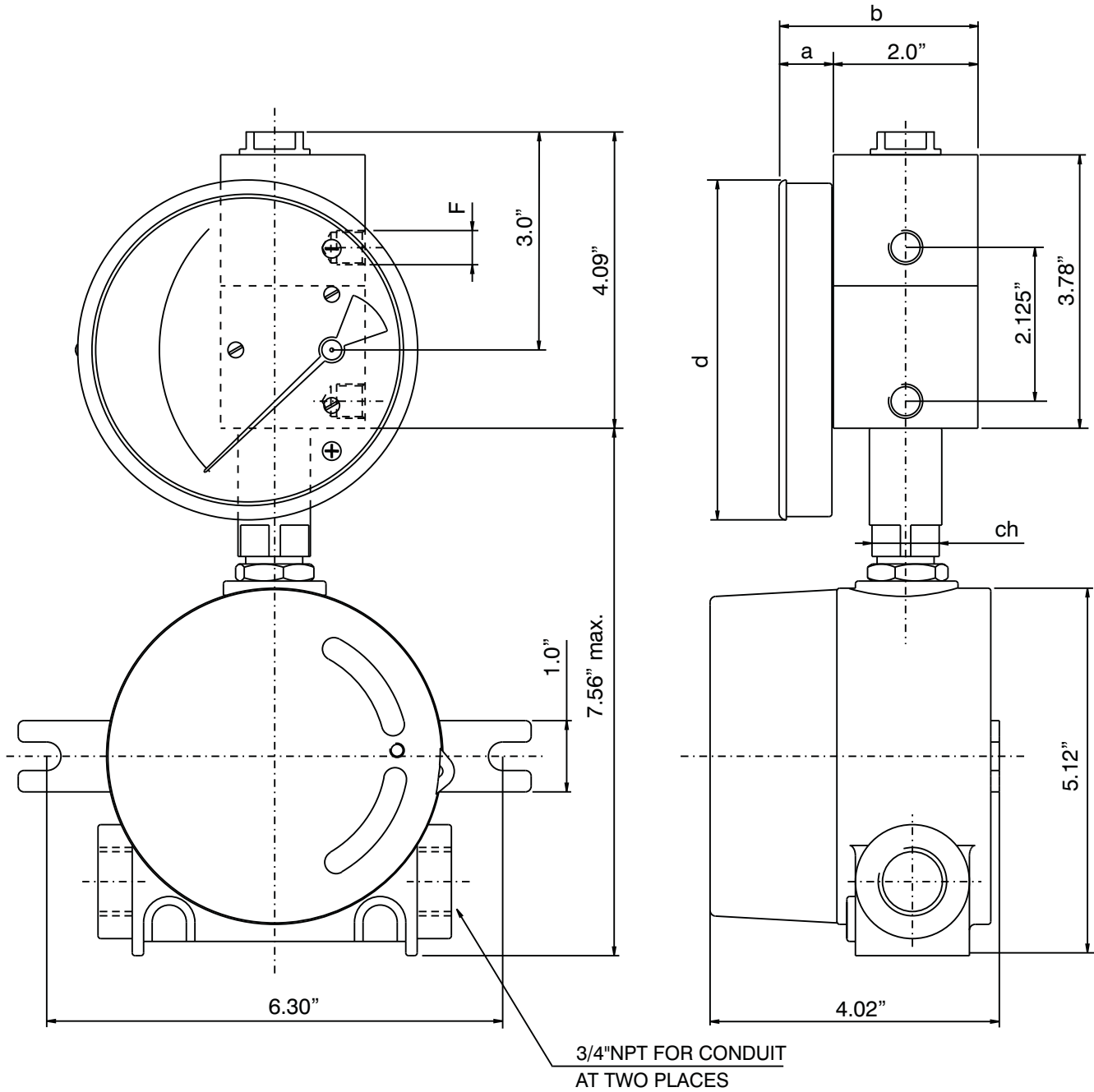


**STANDARD DIMENSIONS FOR EXPLOSION PROOF INSTRUMENT (MODEL EX 200DPG)**



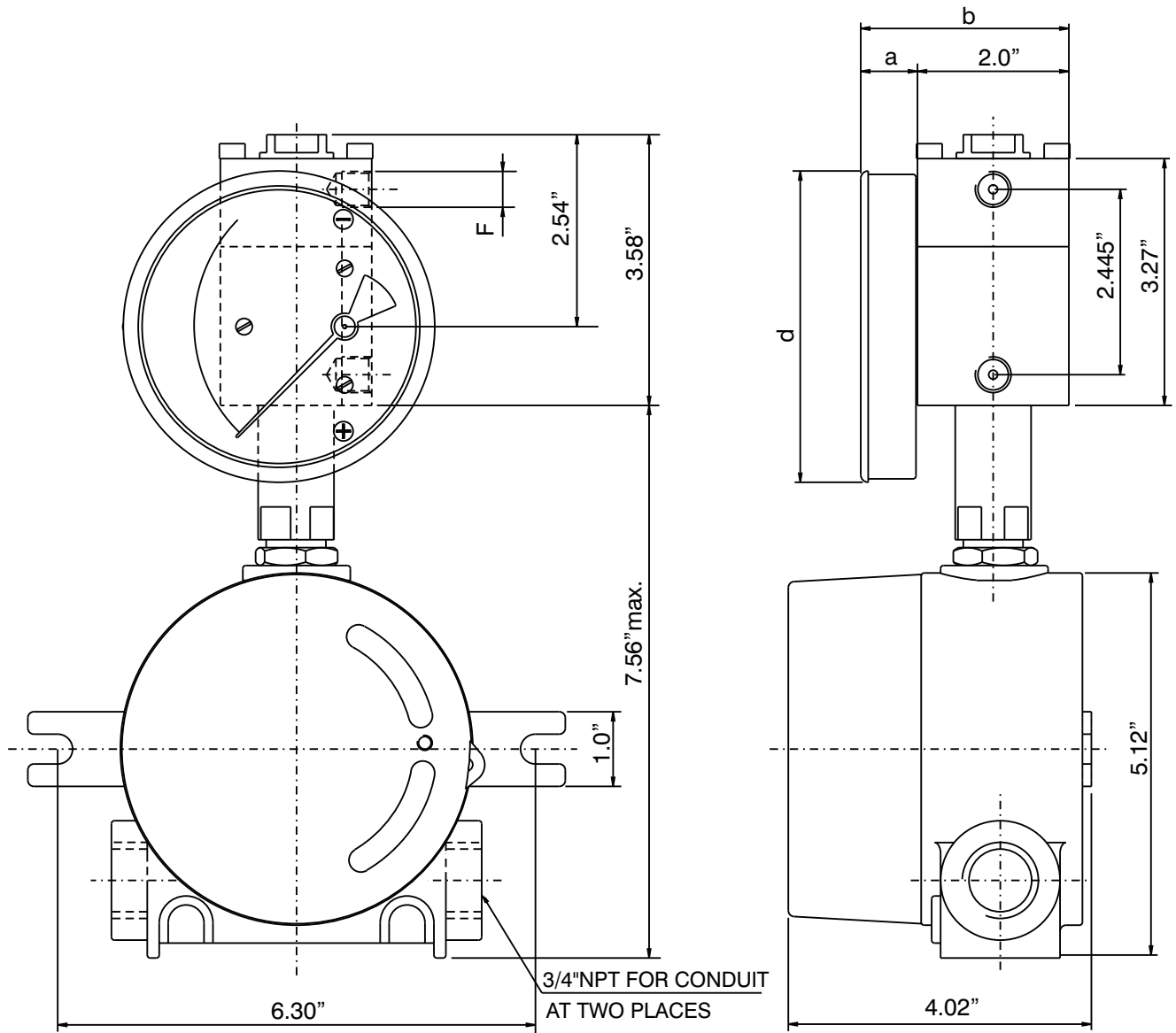
DN	F	a	b	d	ch
3.5"	1/4" NPT	0.75"	1.75"	3.26"	0.87" SQ
4.0"	1/4" NPT	0.75"	1.75"	4.10"	0.87" SQ
4.5"	1/4" NPT	0.75"	1.75"	4.71"	0.87" SQ
6.0"	1/4" NPT	0.75"	1.75"	6.07"	0.87" SQ

# STANDARD DIMENSIONS FOR EXPLOSION PROOF INSTRUMENT (MODEL EX 200DGR)



DN	F	a	b	d	ch
3.5"	1/4" NPT	0.75"	2.75"	3.26"	0.87" SQ
4.0"	1/4" NPT	0.75"	2.75"	4.10"	0.87" SQ
4.5"	1/4" NPT	0.75"	2.75"	4.71"	0.87" SQ
6.0"	1/4" NPT	0.75"	2.75"	6.07"	0.87" SQ

## STANDARD DIMENSIONS FOR EXPLOSION PROOF INSTRUMENT (MODEL EX 300DGC)



DN	F	a	b	d	ch
3.5"	1/4" NPT	0.75"	2.75"	3.26"	0.87" SQ
4.0"	1/4" NPT	0.75"	2.75"	4.10"	0.87" SQ
4.5"	1/4" NPT	0.75"	2.75"	4.71"	0.87" SQ
6.0"	1/4" NPT	0.75"	2.75"	6.07"	0.87" SQ