



Differential Pressure
Plus Inc.
Branford, CT, U.S.A



DPP975 Indicator

website: differentialpressure.com

email: info@dpgaugeusa.com

phone: 203-481-2545

DPP975



Example Usage

Available Pressure Ranges

- (3.5, 5, 10, 15, 25, 30 psid)

Specs

Safe to 300 psi

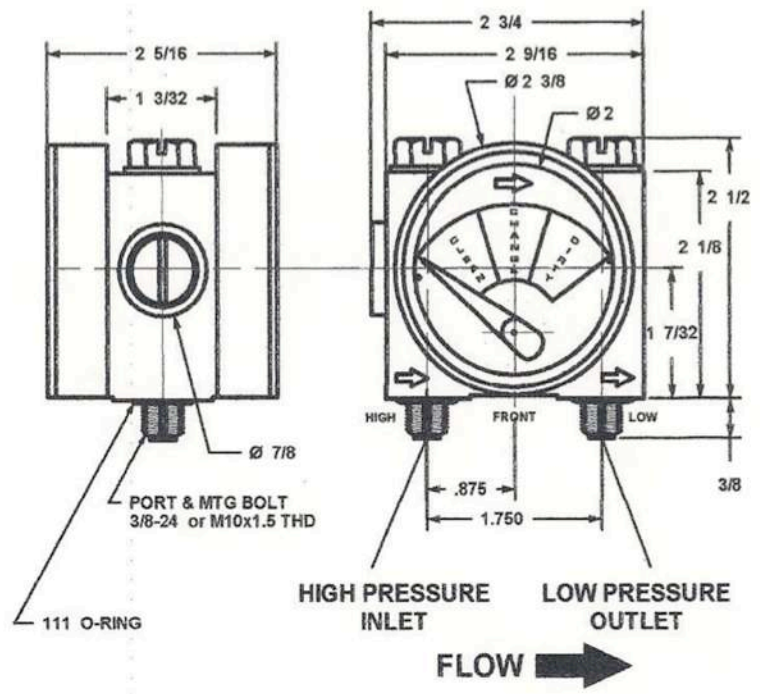
Safe to 150 F

Viton Seals

3 color indicator

Glass filled nylon.

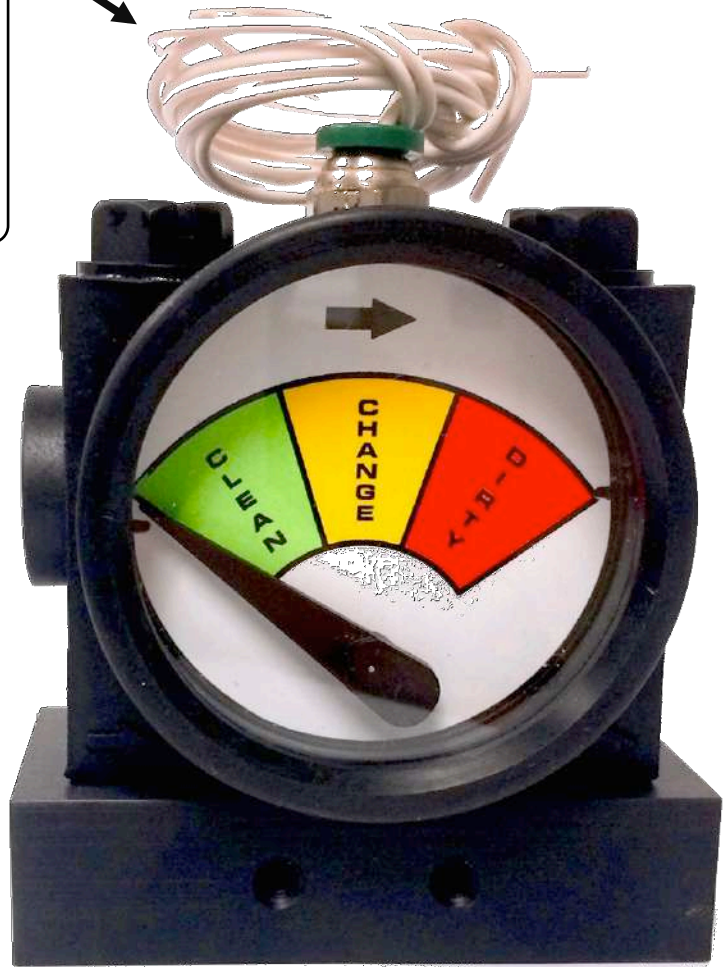
3% accuracy



Electrical Switch and Mounting Options

Electrical Switches

- Factory preset
- Can be either normally open or normally closed
- 100 Volt, 0.3 Amp
- Two wire connections



Mounting Bases

- Either Aluminum or PVC available
- Allows for 1/8" NPT female connections
- Mounting holes for panel/remote mounting



Differential Pressure Plus Inc. has been designing and manufacturing filter indicators and differential pressure gauges for 25 years. With our new company division, LoopMeter, we are now bringing the industry new options for electronic communication. These new designs are sure to bring fresh thinking to the industry.



+

Web: DifferentialPressure.com

Email: info@dpgaugeusa.com

Phone: 203-481-2545

Address: 67-4 North Branford Road, Branford, CT, 06405