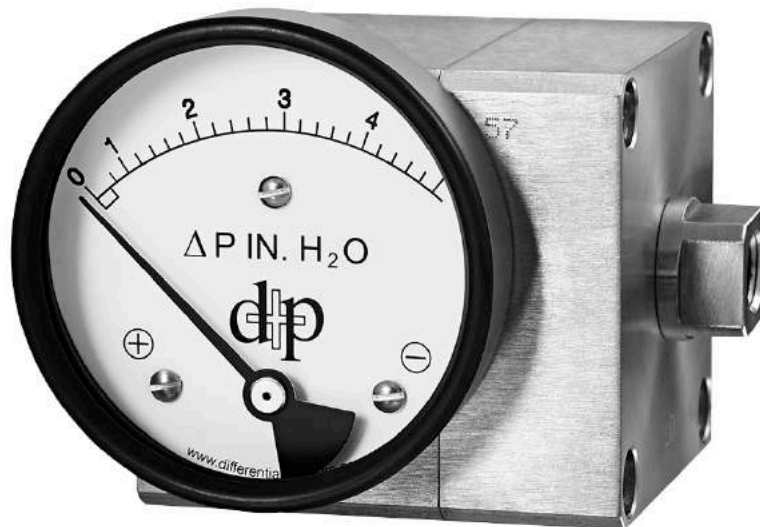




Differential Pressure
Plus Inc.
Branford, CT, U.S.A



LDG

large diaphragm style dp gauge

LDG Standard Gauge



Great for measuring flow rates



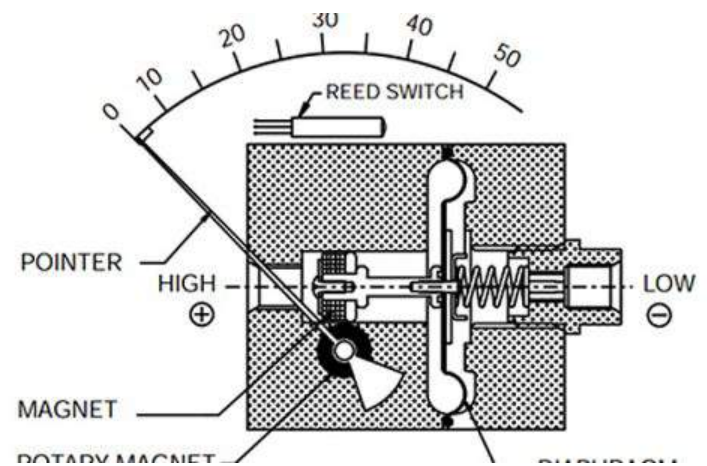
Great Microbulk Cryogenic tanks

Available Pressure Ranges

- (1-30" H2O)

Specs

- Viton Diaphragm
- Aluminum, Brass, or Stainless
- 500 PSI system pressure
- 175F Temperature Rating
- Electrical switches and many other optional accessories



Model Number System

- Standard polymer dial cases come with panel mounting hardware
- Stainless Steel Dial Case option available in panel and non-panel mount
- Specialty pressure ranges available upon request
- Custom Logos are no extra cost



XX

-

XXXX

-

XX

-

XX

Gauge Model	Port Location	Body Material	Dial Face Size	Range	Options
PG: Piston Gauge DG: Diaphragm gauge RDG: Rolling Diaphragm Gauge LDG: Large Diaphragm Gauge	1: Inline 2: Rear 3: Bottom	A: Aluminum B: Brass S: Stainless	25: 2.5" 45: 4.5" 60: 6.0"	#P: PSID #B: Bar #KPA: kPA #IW: in. H2O #mW: mm H2O	CB: Color Band CL: Custom Logo CR: Calibration Report ES: EPDM Seals FP: Follower Pointer LF: Liquid Filling MB: Mounting Bracket OX: Oxygen Cleaning SS: Steel Dial Case SF: Steel Dial Case (Panel Mount)

Examples

Application 1

Design Requirements

- Piston Gauge
- Inline Connections
- Aluminum body with standard Buna seals
- 2.5" dial case
- 10 PSID range
- No Options

Model number

- **PG-1A25-10P**

Application 2

Design Requirements

- Piston Gauge
- **Bottom** Connections
- Aluminum body with standard Buna seals
- 2.5" dial case
- **2 Bar** range
- **Liquid Fill**

Model number

- **PG-3A25-2B-LF**

Application 3

Design Requirements

- Piston Gauge
- Inline Connections
- **Stainless body** with standard Buna seals
- 2.5" dial case
- 10 PSID
- **Color Band**
- **1 SPST switch with terminal strip**

Model number

- **PG-1S25-10P-CBS2**

Electrical Switches

- S1: 1 SPST w/DIN Plug
- S2: 1 SPST w/terminal strip
- S3: 2 SPST w/DIN Plug
- S4: 2 SPST w/terminal strip
- S5: 1 SPDT w/DIN Plug
- S6: 1 SPDT w/terminal strip
- S7: 2 SPDT w/DIN Plug
- S8: 2 SPDT w/terminal strip

Standard Ranges	(in H2O)	1	2	5	10	15	20	30

Other Units	Pa	mBar	Bar	mm H2O

Accessories Overview



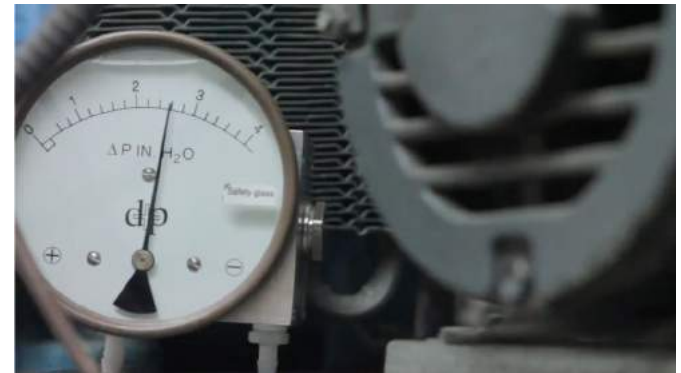
Follower Pointer: Shows Max Reading



Color Band: Customizable 3 Color Arc



Mounting Bracket: For Walls or 2" Pipe



Liquid Fill: For Vibration or High Humidity



Standard Polymer Dial Case
(includes panel hardware)



Steel Dial Cases
(Available in Standard or Panel Mount)

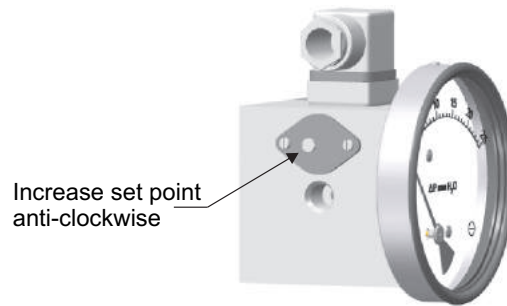
SWITCH SETTING :

Please follow these instructions when your differential pressure instruments are supplied with switch. The switches are normally factory set to save time at customer's end. However they are field adjustable.

CAUTION : Supply should not exceed switch rating. For higher supply, use of relay circuit is recommended.

SWITCH ADJUSTMENT

Switch adjustment screw is located on plastic cover. Rotate the screw anti-clockwise to increase the set point and clockwise to decrease the set point. One or two trials may be necessary to attain the exact point. Above procedure to be followed by putting instrument on test bed or while in actual service.



View from high pressure side

NOTE : Instrument and switch has IP65 protection. PG 9 gland is provided for cables. Use cable of dia 4 to 8 mm.

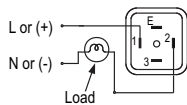
SPST SWITCH

Switches are provided as per customer requirement. Please refer gauge label for switch specification.

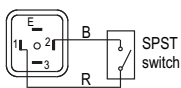
One SPST switch

Reed switches & Din plug connection

View of socket for supply connections



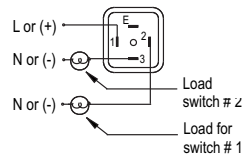
View of plug after removing the socket



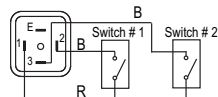
Two SPST switches

Reed switches & Din plug connection

View of socket for supply connections



View of plug after removing the socket



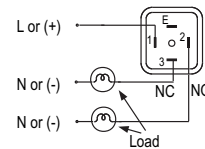
SPDT SWITCH

Switches are provided as per customer requirement. Please refer gauge label for switch specification.

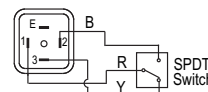
One SPDT switch

Reed switches & Din plug connection

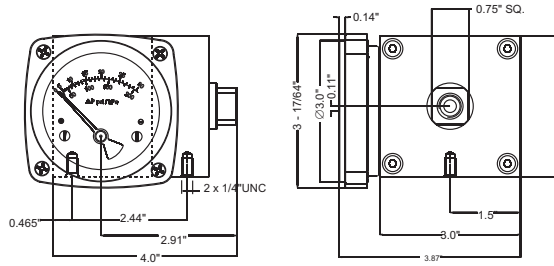
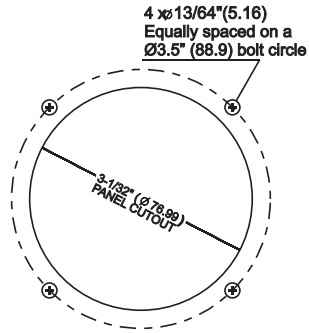
View of socket for supply connections



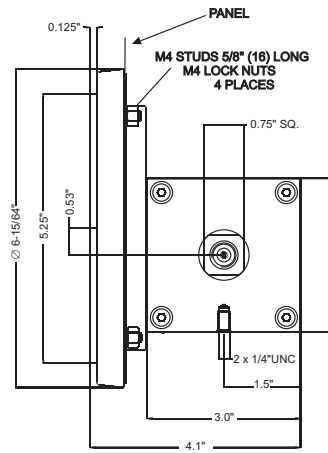
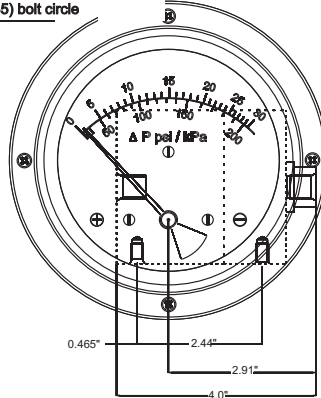
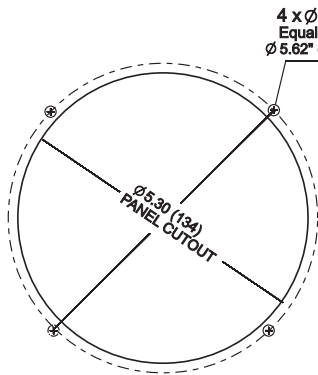
View of plug after removing the socket



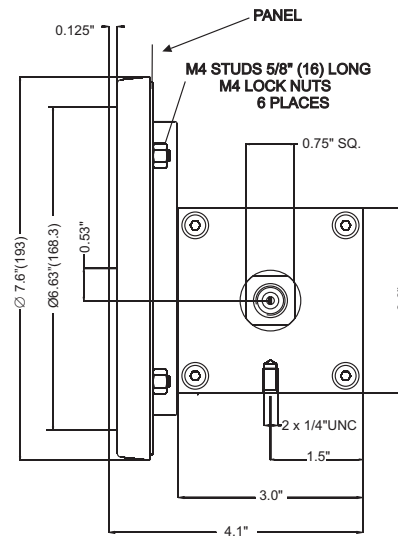
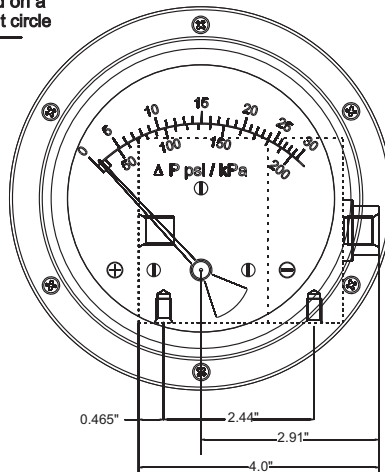
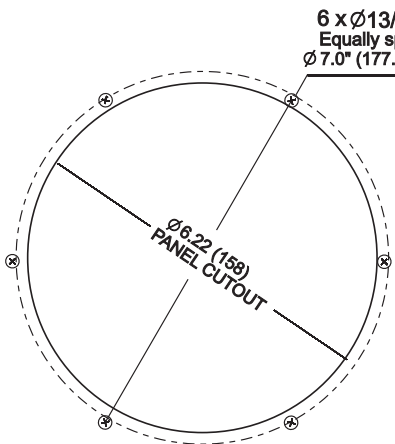
R=Red, B=Black, Y=Yellow, L=Live or +ve supply, N=Nutral or -ve supply
 * Body to be suitably earthed while using gauge + switch.



2-1/2" DIAL SIZE



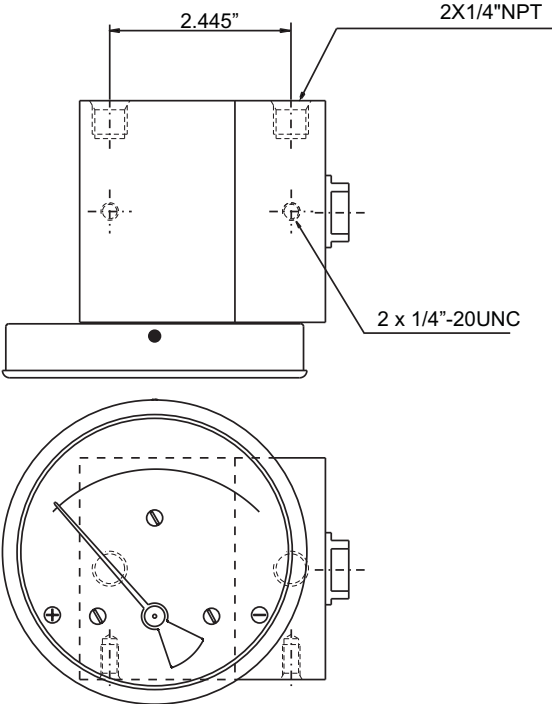
4-1/2" DIAL SIZE



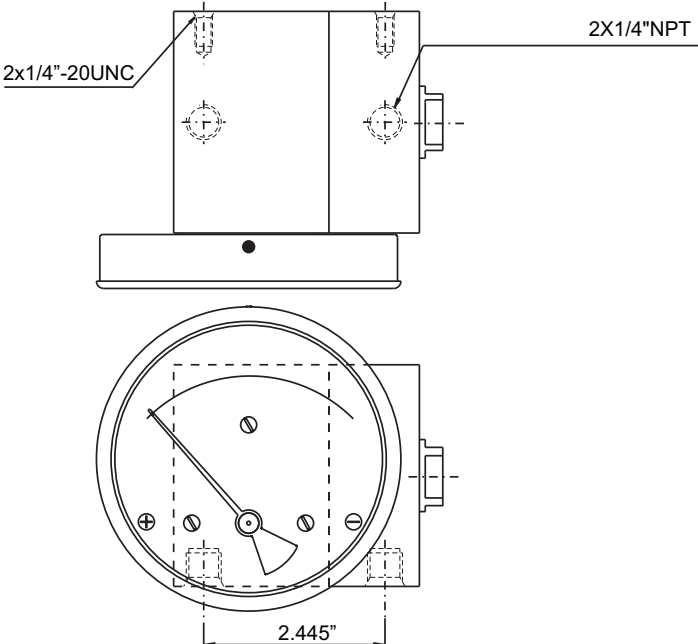
6.0" DIAL SIZE

PORTING DETAILS

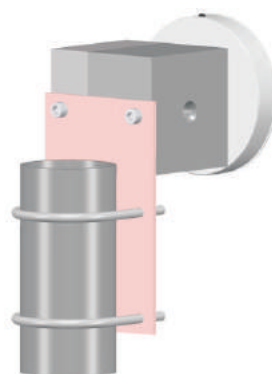
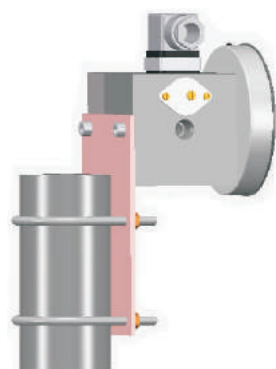
BACK PORTING



BOTTOM PORTING



BRACKET MOUNTING COMBINATIONS, with & without switch





Differential Pressure Plus Inc. has been designing and manufacturing filter indicators and differential pressure gauges for 25 years.



Web: DifferentialPressure.com

Email: info@dpgaugeusa.com

Phone: 203-481-2545

Address: 67-4 North Branford Road, Branford, CT, 06405