



# Differential Pressure Plus Inc.

Branford, CT, U.S.A



## CDG

diaphragm style dp gauge for cryogenics

website: [differentialpressure.com](http://differentialpressure.com)

email: [info@dpgaugeusa.com](mailto:info@dpgaugeusa.com)

phone: 203-481-2545

# CDG Gauge



*Instrument automatically resets after line surges and cold start. This eliminates the need to rebalance the gauge.*



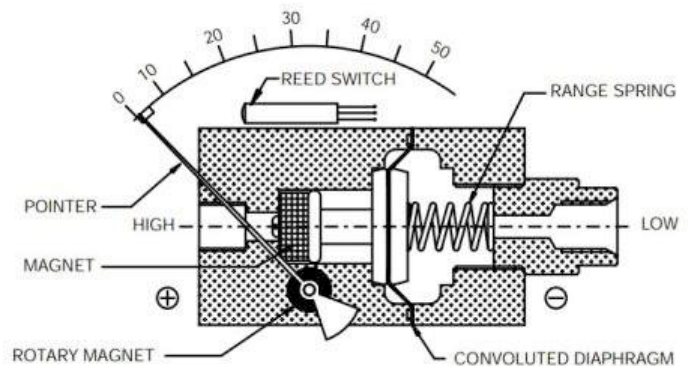
*Great for level measurement in Cryogenic tanks*

## **Available Pressure Ranges**

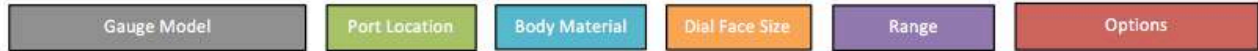
- (750-50,000 mm H<sub>2</sub>O)

## **Specs**

- Viton Diaphragm
- Aluminum, Brass, or Stainless
- Up to 1.6% and 1% accuracy upon request
- Can come with manifold or manifold+gauge
- Electrical switches and many other optional accessories



# Model Number System



## Examples

<p><u>Application 1</u></p> <p>Design Requirements</p> <ul style="list-style-type: none"> <li>Bottom Connections</li> <li>Aluminum body</li> <li>Manifold</li> <li>4.5" dial case</li> <li>1000mm H2O Range</li> <li>Oxygen Cleaning</li> </ul> <p>Model number</p> <ul style="list-style-type: none"> <li><b>CDG-3A45-1000MW-MFOX</b></li> </ul>	<p><u>Application 2</u></p> <p>Design Requirements</p> <ul style="list-style-type: none"> <li>Bottom Connections</li> <li>Aluminum body</li> <li>Manifold and pressure gauge</li> <li>4.5" dial case</li> <li>2000mmH2O/in H2O</li> <li>Color Band</li> </ul> <p>Model number</p> <ul style="list-style-type: none"> <li><b>CDG-3A45-2000MW-CBMG</b></li> </ul>
---	---

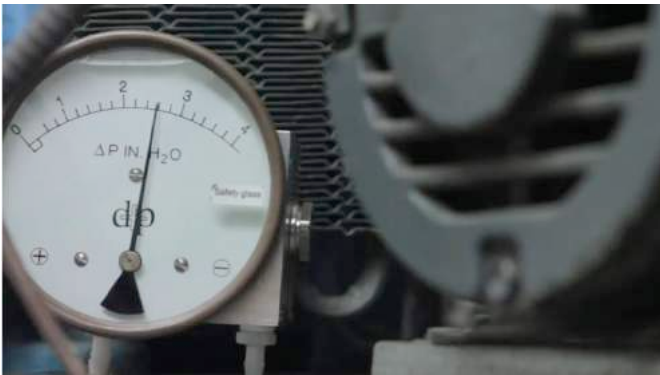
Standard Ranges mmH2O

750	1000	1200	1500	2000	2500	3000	4000	5000	6000	7500	10000	12000	15000	20000	25000	30000	40000	50000
-----	------	------	------	------	------	------	------	------	------	------	-------	-------	-------	-------	-------	-------	-------	-------

# Accessories Overview



Color Band: Customizable 3 Color Arc



Liquid Fill: For Vibration or High Humidity



Follower Pointer: Shows Max Reading



Mounting Bracket: For Walls or 2" Pipe



Manifold only or Manifold + System pressure gauge



Standard Polymer Dial Case  
(includes panel hardware)

## SWITCH SETTING :

Please follow these instructions when your differential pressure instruments are supplied with switch. The switches are normally factory set to save time at customer's end. However they are field adjustable.

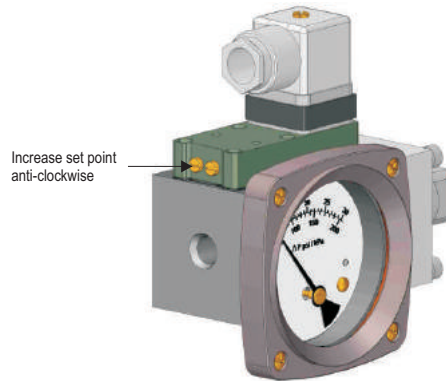
**CAUTION :** Supply should not exceed switch rating. For higher supply, use of relay circuit is recommended.

## SWITCH ADJUSTMENT

Switch adjustment screw is located on plastic cover.

Rotate the screw anti-clockwise to increase the set point and clockwise to decrease the set point. One or two trials may be necessary to attain the exact set point. Above procedure to be followed by putting the instrument on test bed or while in actual service.

**NOTE :** Instrument and switch has IP65 protection. PG7 gland is provided for cables for terminal strip option ( Use cable dia 3-6.5 mm ). PG9 gland is provided for cables for DIN plug option ( Use cable dia 4 - 8 mm ).

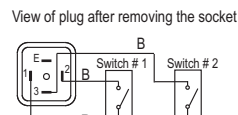
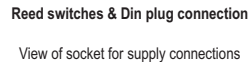
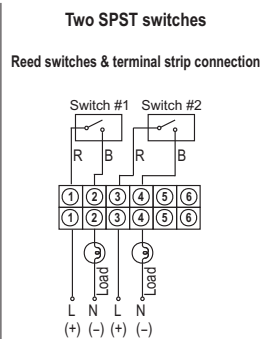
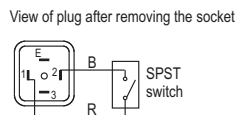
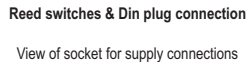
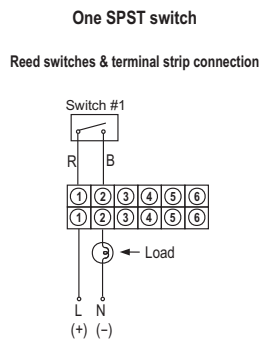


View from high pressure side

## SPST SWITCH

### Specifications

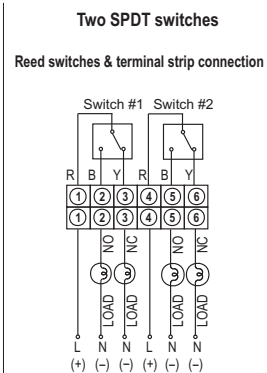
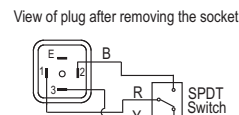
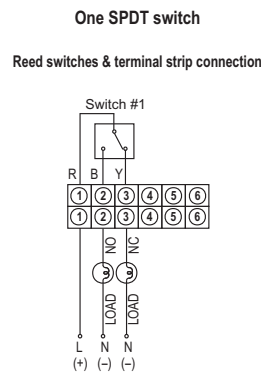
Switches are provided as per customer requirement. Please refer gauge label for switch specification.



## SPDT SWITCH

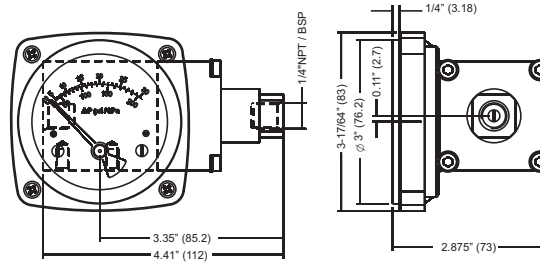
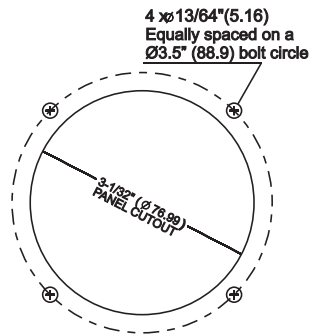
### Specifications

Switches are provided as per customer requirement. Please refer gauge label for switch specification.

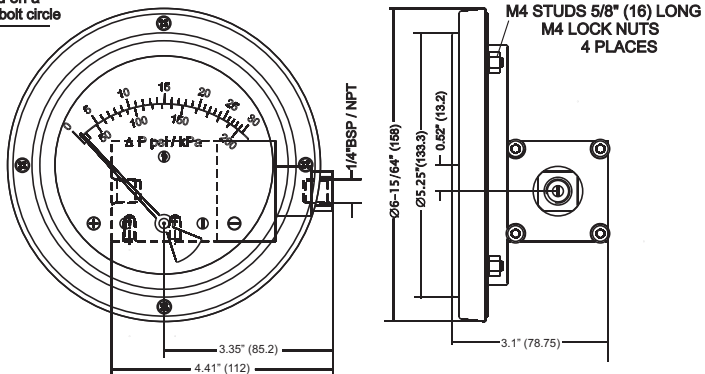
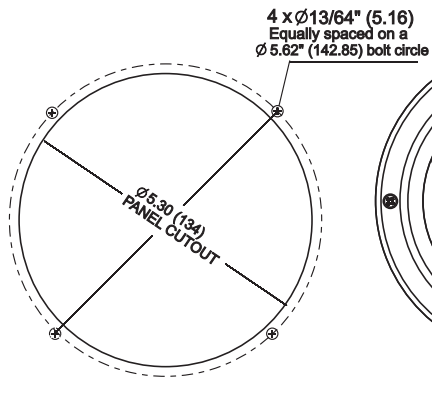


R=Red, B=Black, Y=Yellow, L=Live or +ve supply, N=Neutral or -ve supply

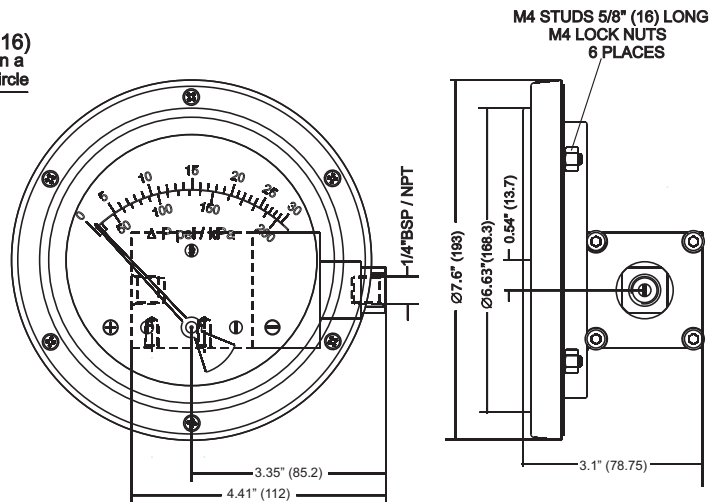
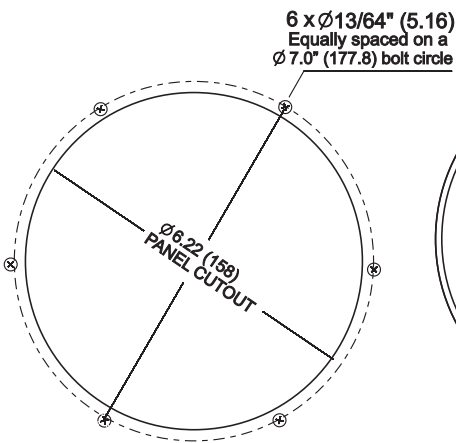
★ Body to be suitably earthed while using gauge + switch and only switch.



2-1/2" DIAL SIZE



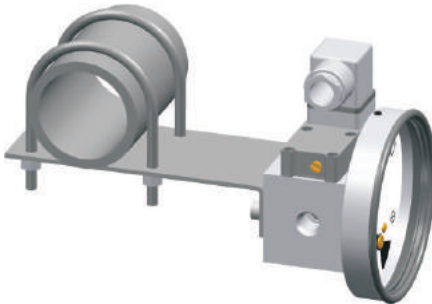
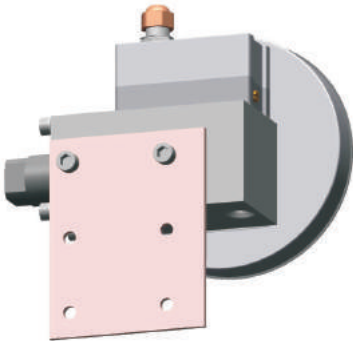
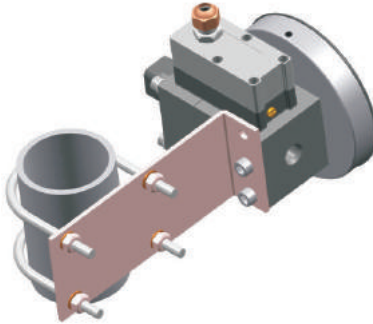
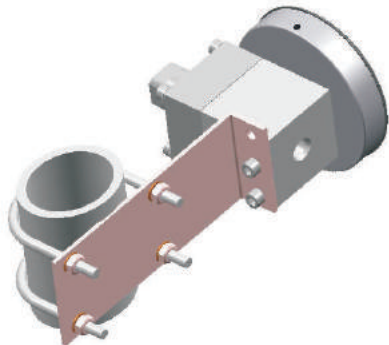
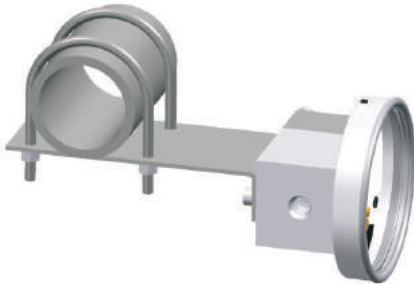
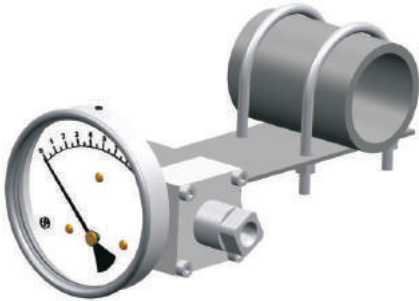
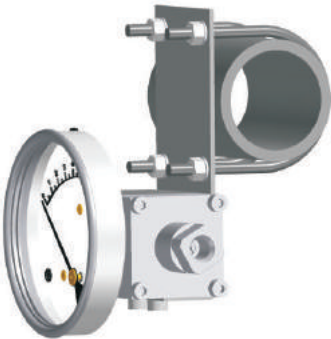
4-1/2" DIAL SIZE



6.0" DIAL SIZE

# BRACKET MOUNTING COMBINATIONS, with & without switch

---





Differential Pressure Plus Inc. has been designing and manufacturing filter indicators and differential pressure gauges for 25 years.



Web: [DifferentialPressure.com](http://DifferentialPressure.com)

Email: [info@dpgaugeusa.com](mailto:info@dpgaugeusa.com)

Phone: 203-481-2545

Address: 67-4 North Branford Road, Branford, CT, 06405